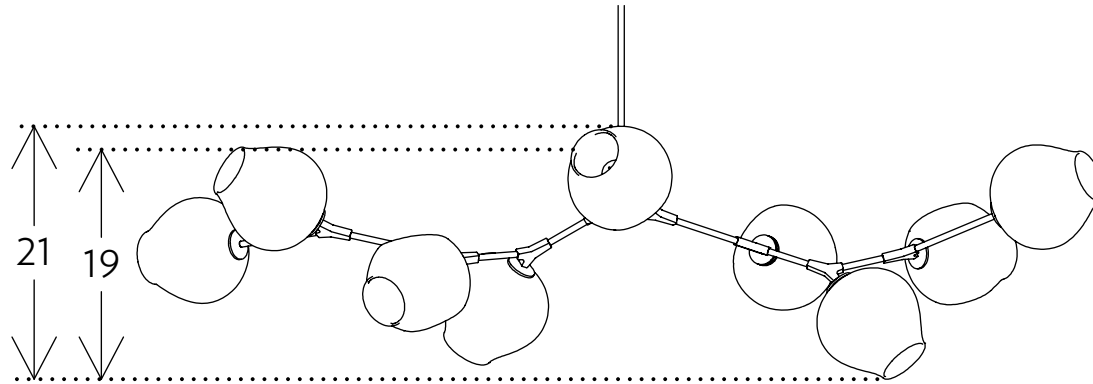




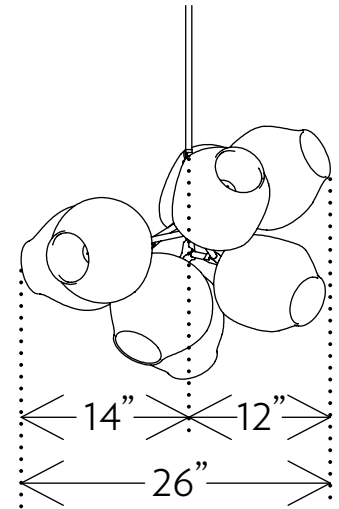
BRANCHING BUBBLE BB.09.39

H 21in/56cm W 80in/221cm D 27in/69cm WT 36lb/16kg MAX 540w Shown with 9" globes

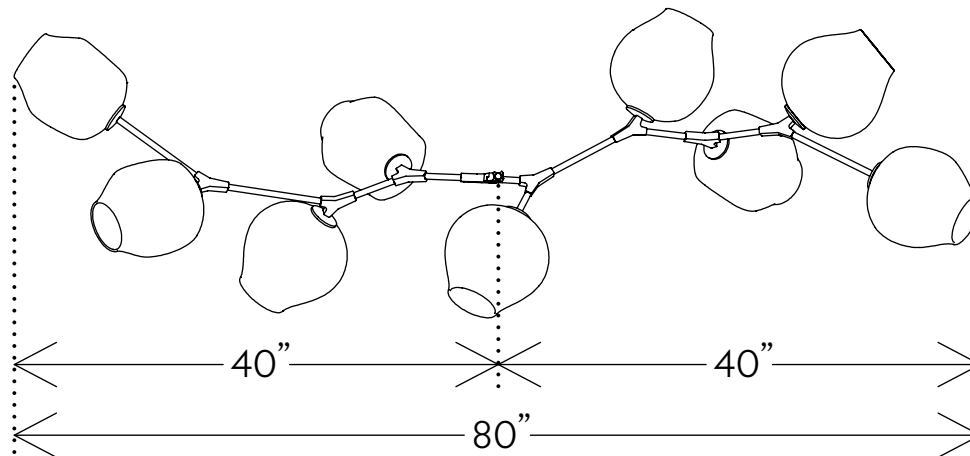
FRONT



SIDE



TOP





BRANCHING BUBBLE

Inspired by natural phenomena, Branching explores the visual tension that results from mixing hand-blown glass with machine-made metal parts. Lindsey Adelman and her team design and build each fixture in their Manhattan studio.

SUSPENSION Includes 36" or 72" stem that can be cut on-site. Longer lengths available upon request.

CANOPY Ø 5" x H .25"

MATERIALS Machined Brass Glass

SHADES 9" Glass Globe

| BULBS | BULB TYPE | SOCKET | WATTAGE | COLOR TEMPERATURE |
|-------|-----------|--------|---------|-------------------|
| 110V | LED Globe | e26 | 6w | 2500k |
| 220V | LED Globe | e27 | 6w | 2500k |