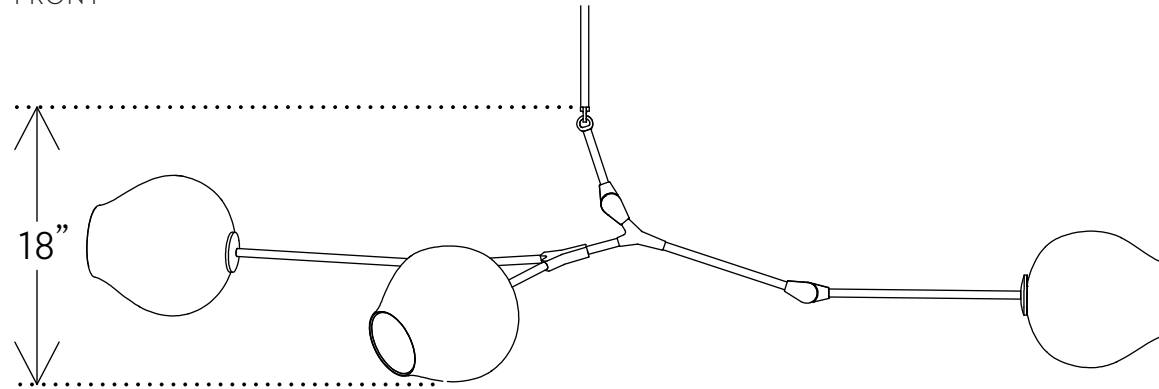




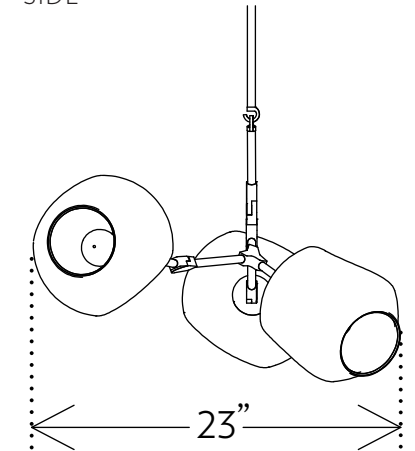
# BRANCHING BUBBLE BB.03.14

H 18in/46cm W 68in/173cm D 23in/58cm WT 12lb/5kg MAX 180w Shown with 9" globes

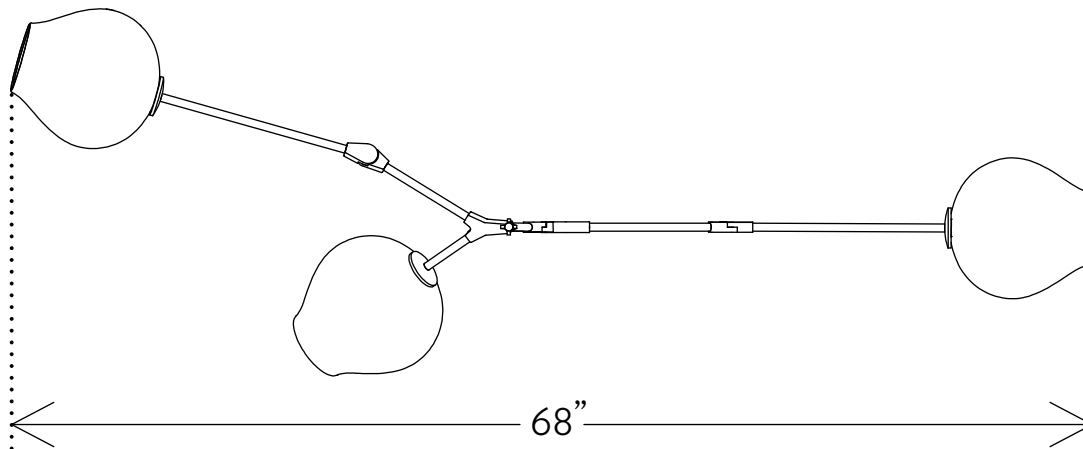
FRONT



SIDE



TOP





## BRANCHING BUBBLE

Inspired by natural phenomena, Branching explores the visual tension that results from mixing hand-blown glass with machine-made metal parts. Lindsey Adelman and her team design and build each fixture in their Manhattan studio.

---

**SUSPENSION** Includes 36" or 72" stem that can be cut on-site. Longer lengths available upon request.

**CANOPY** Ø 5" x H .25"

**MATERIALS** Machined Brass Glass

**SHADES** 9" Glass Globe

BULBS	BULB TYPE	SOCKET	WATTAGE	COLOR TEMPERATURE
110V	LED Globe	e26	6w	2500k
220V	LED Globe	e27	6w	2500k