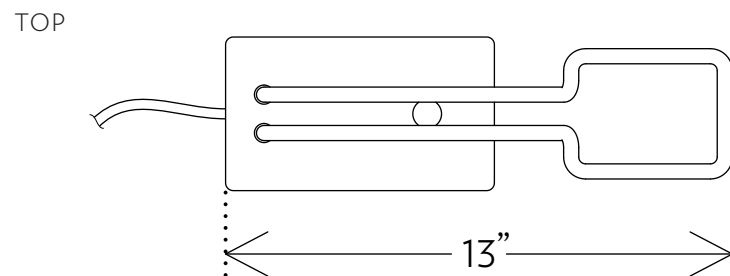
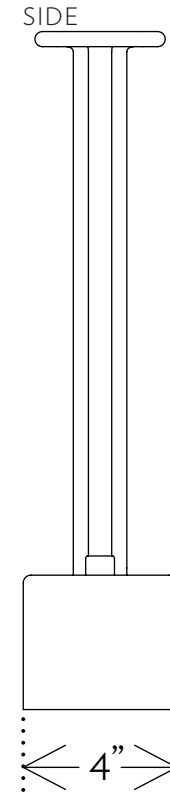
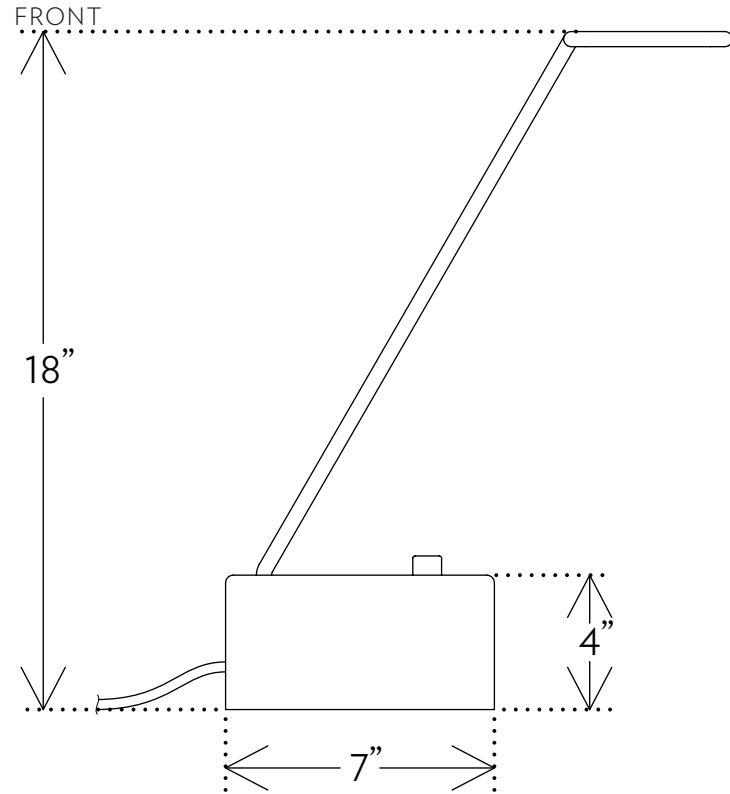




LIGHT LINE LL.01.01

H 18in/46cm W 13in/33cm D 4in/10cm WT 5lb/2kg





LIGHT LINE

Light Line explores the 3-dimensional possibilities of neon, an industrial material that taps into designer Mary Wallis' academic background in science. A smooth dimmer switch affords control of neon's light-producing chemical reaction, making one feel like a modern-day alchemist. Composed of a cold cathode bulb with machined brass base. Designed by Mary Wallis for Lindsey Adelman Studio.

MATERIALS Machined Aluminum Cold Cathode Tube Cloth Cord

FINISHES Brushed Brass Vintage Brass Oil-Rubbed Bronze Satin Nickel

BULB White Cold Cathode Tube, Dimmable

ELECTRICAL 110V 3-prong 5-15P

220V Please inquire