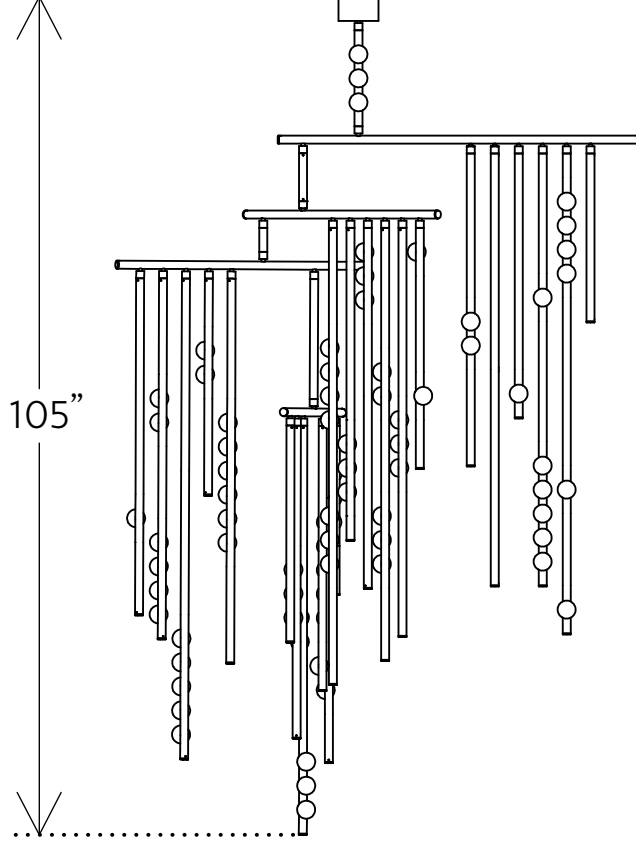




DROP SYSTEM DS.79.01

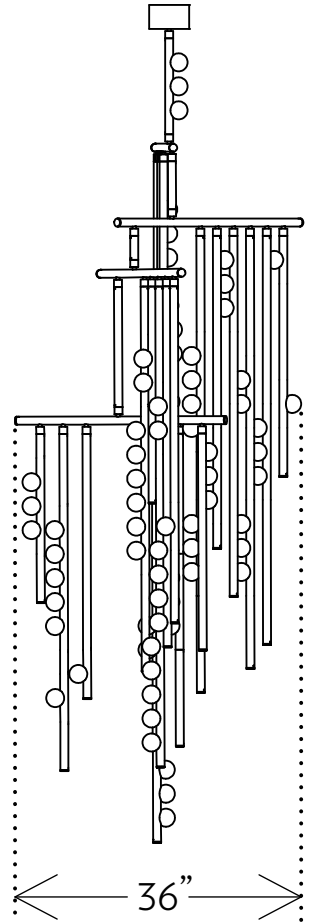
H 105in/267cm W 66in/168cm D 36in/92cm WT 150lb/68kg

FRONT



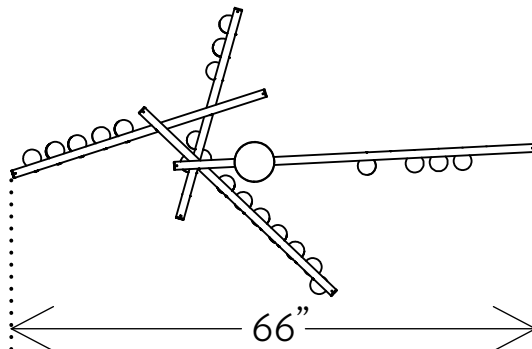
105"

SIDE



36"

TOP



66"



DROP SYSTEM

BACK PLATE 110V Ø 5" x H 3"

220V Ø 5" x H 3"

MATERIALS Machined Brass Glass

FINISHES Mottled Brass Verdigris Dark Pewter Tarnished Nickel

SHADES 2.25" Glass Globes

| BULBS | BULB TYPE | SOCKET | WATTAGE | TEMPERATURE | ADDITIONAL |
|----------|-----------|--------|------------------------|-------------|----------------------|
| 120V | LED | G4 | 1.2w (20w halogen eq.) | 2700k | Transformer provided |
| 220/230V | LED | G4 | 1.2w (20w halogen eq.) | 2700k | Transformer provided |
| 12V | LED | G4 | 1.2w (20w halogen eq.) | 2700k | |