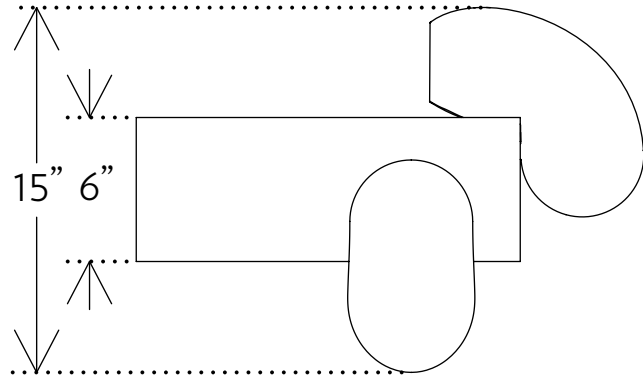




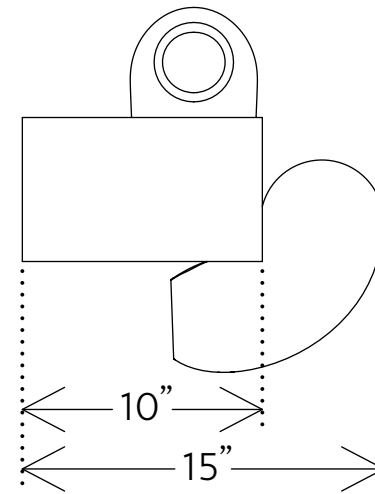
CW.02.02

H 15in/38cm W 21in/53cm D 15in/38cm WT 18lb/8kg

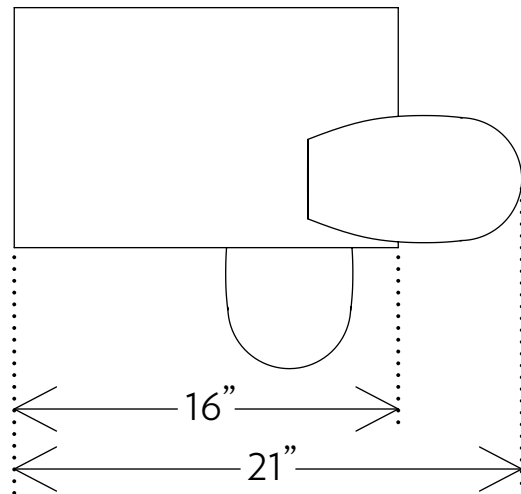
FRONT



SIDE



TOP





CATCH SCONCE

The Catch Box Sconce is a modular system of brass boxes and hand-blown glass. To create each piece, glass is blown directly onto the metal forms and left to slump with the weight of gravity as it cools. The resulting form exemplifies the organic nature of the material.

Designed exclusively for Nilufar Gallery, Milan.

BACKPLATE 6" x 16" x 10" Brass backplate

MATERIALS Machined Brass Glass

GLASS Milky Clear

BULBS	INPUT VOLTAGE	BULB VOLTAGE	SOCKET	WATTAGE	TEMPERATURE	ADDITIONAL
	120V/220V	12V	G4	1.2W	2700K	Transformer Provided